

WMP-SS

316L Stainless Steel Pendant Wall Mount

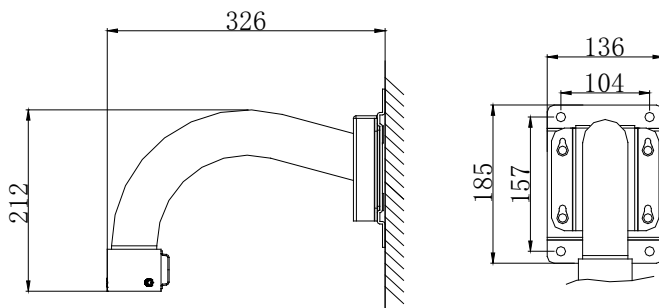
- 316L Stainless Steel Construction
- Pendant Wall Mount for the DS-2DT6223-AELY
- Safety Rope for Convenient Installation

The WMP-SS is a 316L Stainless Steel Pendant Wall Mount designed for the DS-2DT6223-AELY Stainless Steel, Anti-corrosion IP PTZ camera system.

Available Model: WMP-SS



Dimensions



Specifications

	WMP-SS
Description	316L Stainless Steel Pendant Wall Mount
Feature	Suitable for speed dome wall mounting
Material	Stainless steel 316L
Dimension	5.4" x 8.3" x 12.8" (136 mm x 212 mm x 326 mm)
Weight	5.07 lbs (2,300 g)